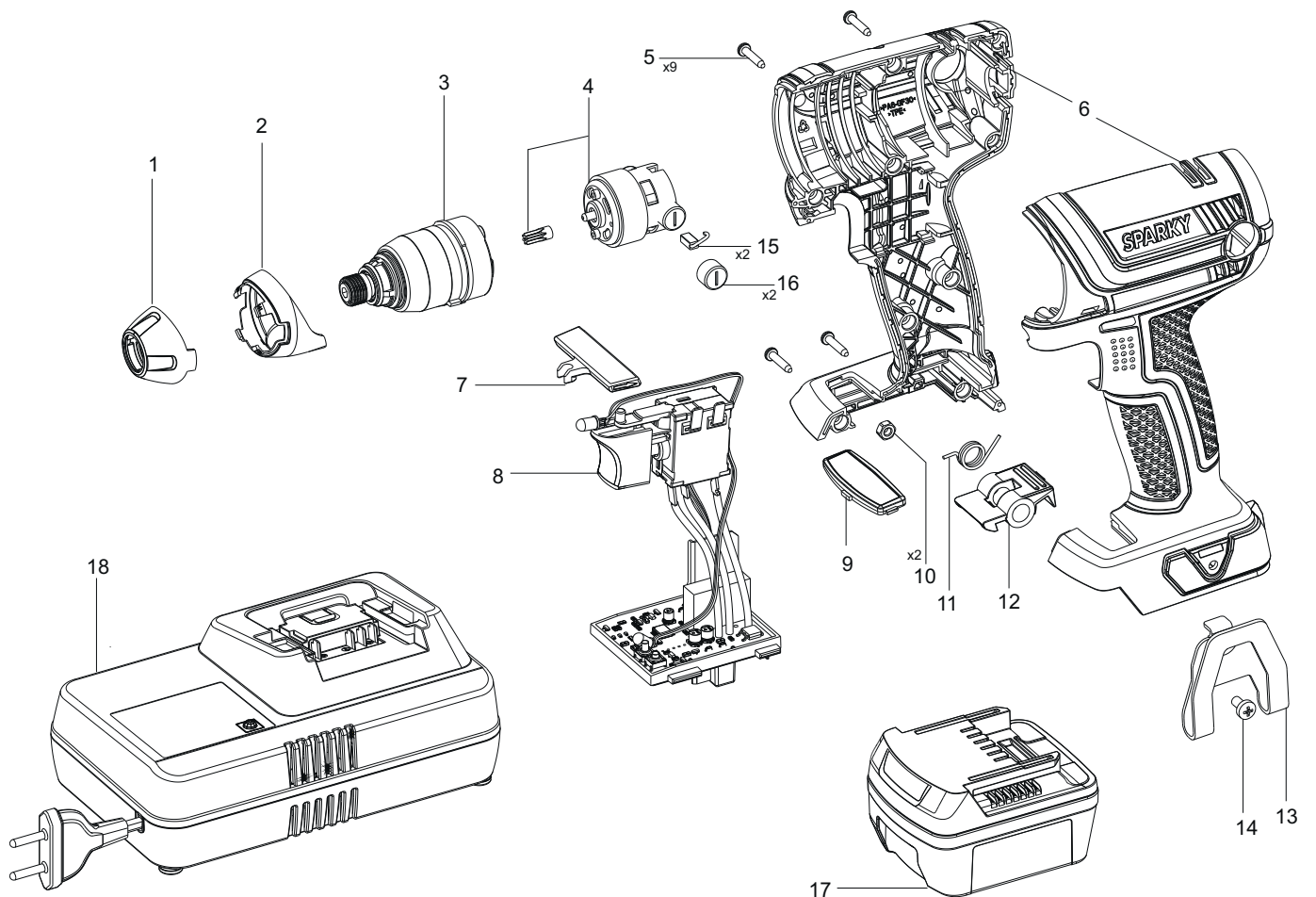


POS. No.	Ref. No.	Description	POS. No.	Ref. No.	Description
----------	----------	-------------	----------	----------	-------------

- 1 146142 Cover
- 2 146141 Shield
- 3 146137 Gear box ass'y GUR 15/18Li HD
- 4 148459 Motor NICHIBO/ G725-7021SF-R/ 62.5R, 18 V+Pinon
- 5 361303 Screw
- 6 146151 Casing set
- 7 146149 Reversing Actuator
- 8 147535 PCB+switch GUR 18Li HD
- 9 148360 Screen GUR 15/18/SLi HD
- 10 360149 Nut M4
- 11 142686 Spring
- 12 142685 Lock button
- 13 142681 Bracket
- 14 361358 Screw J2-M4x8-8.8
- 15 148457 Brush GUR 15/18/S Li HD
- 16 148456 Brush Cap
- 17 148363 Battery pack ass'y BL 1840
- 18 148367 Charger.ass'y/EU (12-18V/1,5-3Ah)Li



148347

148356